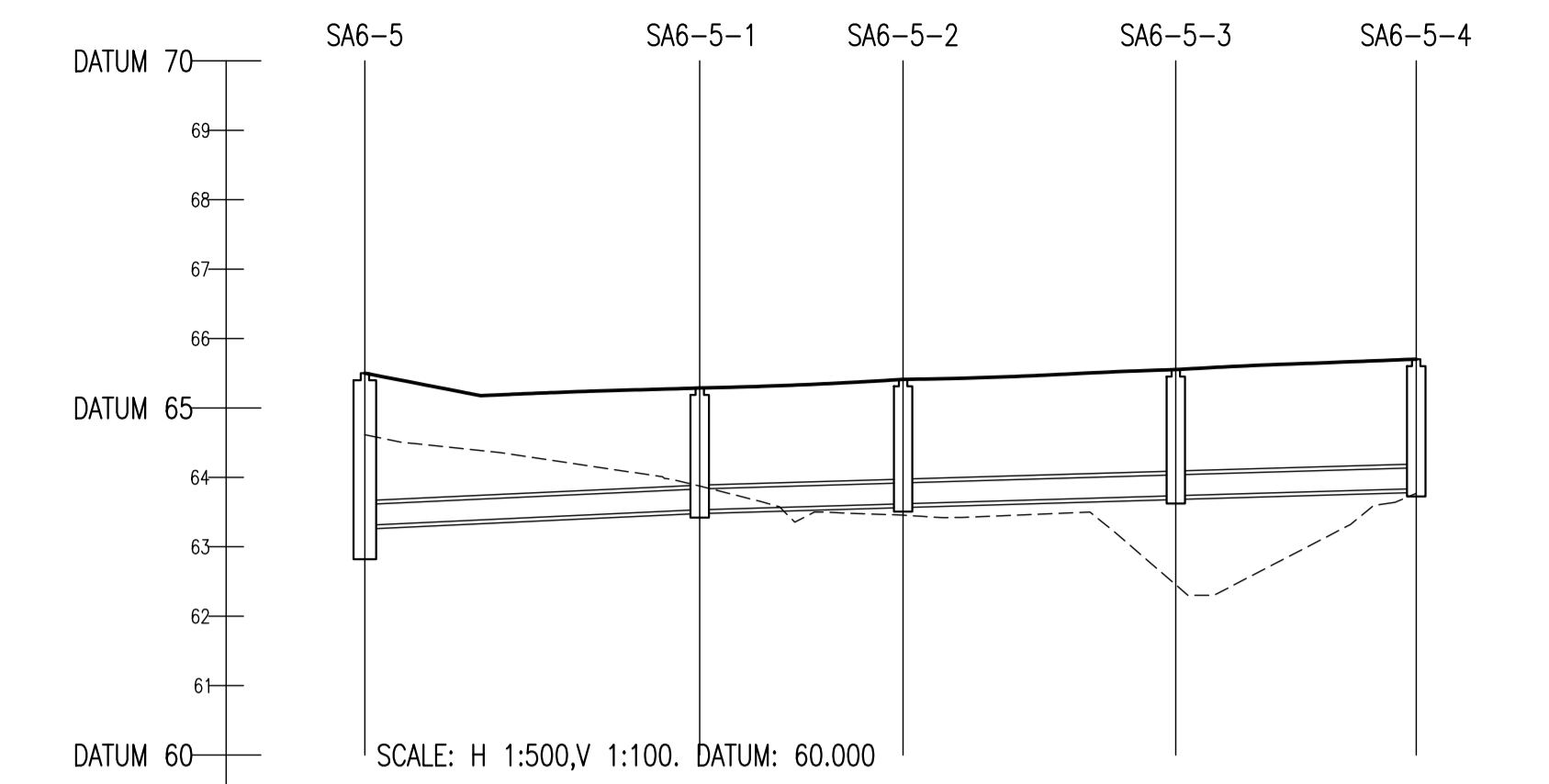
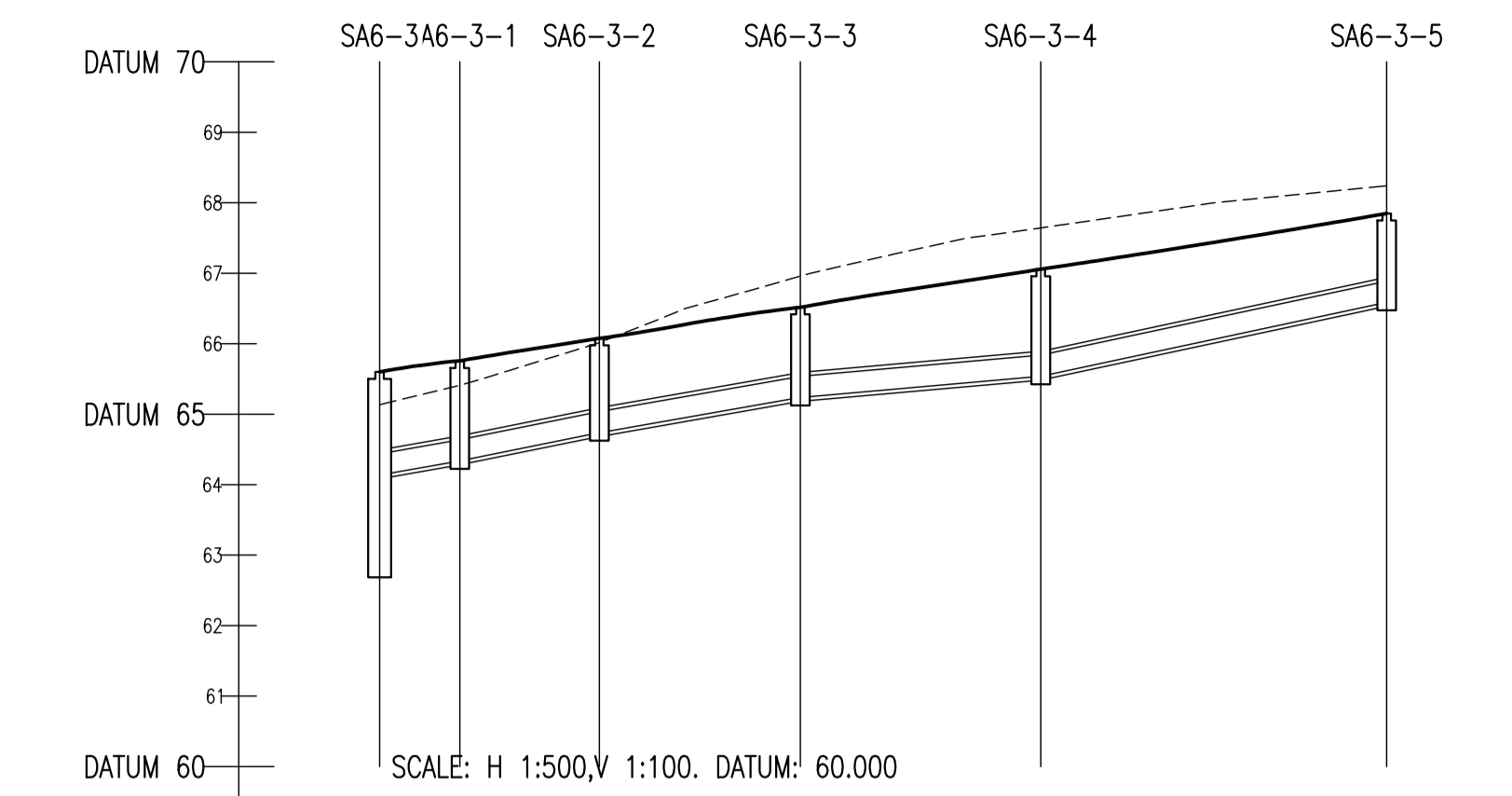


COVER LEVEL	68.905	69.147	68.994	68.880	68.734
INVERT LEVEL	68.822	5.003	66.854	5.002	67.066
DEPTH (m)	2.045	2.255	1.860	67.066	1.860
DISTANCE (m)	10.36	10.53	14.67	23.01	1.409
PIPE SLOPE	1:324	1:170	1:171	1:170	
PIPE SIZE	450mm	300mm	300mm	300mm	

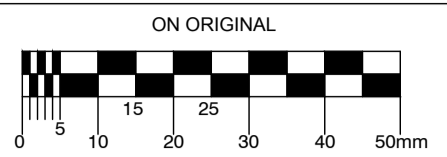


COVER LEVEL	65.900	65.288	65.413	65.553	65.703
INVERT LEVEL	63.309	10.003	63.534	10.002	63.620
DEPTH (m)	2.528	1.777	63.620	1.756	63.726
DISTANCE (m)	24.12	14.65	19.64	17.32	1.828
PIPE SLOPE	1:108	1:170	1:169	1:170	
PIPE SIZE	300mm	300mm	300mm	300mm	



COVER LEVEL	65.800	65.756	66.077	66.516	67.058	67.848
INVERT LEVEL	64.338	64.338	11.003	64.738	65.238	65.538
DEPTH (m)	2.765	1.381	64.738	1.302	64.738	65.238
DISTANCE (m)	5.69	9.91	14.27	17.06	24.56	1.223
PIPE SLOPE	1:28	1:25	1:29	1:57	1:23	
PIPE SIZE	300mm	300mm	300mm	300mm	300mm	

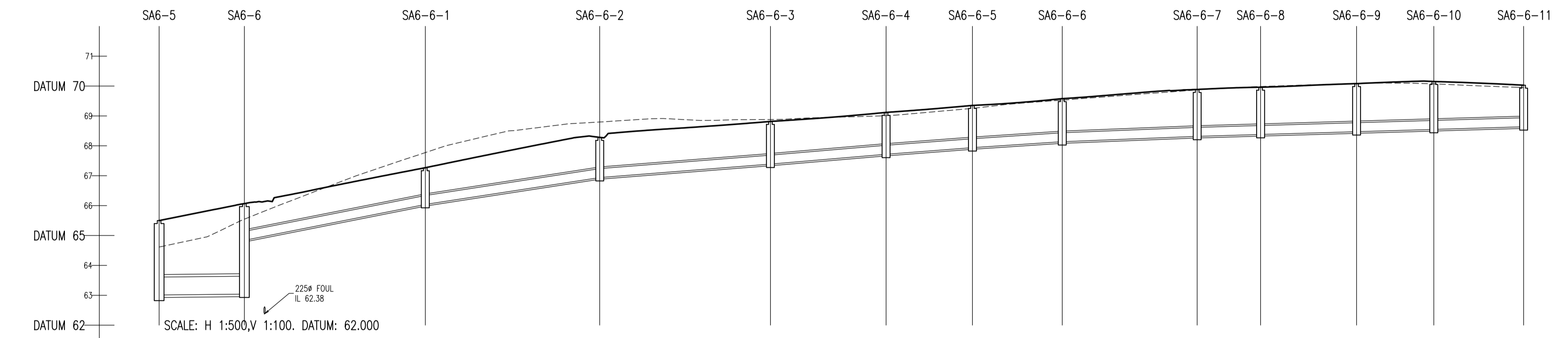
© COPYRIGHT OF THIS DRAWING IS RESERVED BY DBFL CONSULTING ENGINEERS. NO PART SHALL BE REPRODUCED OR TRANSMITTED WITHOUT THEIR WRITTEN PERMISSION.



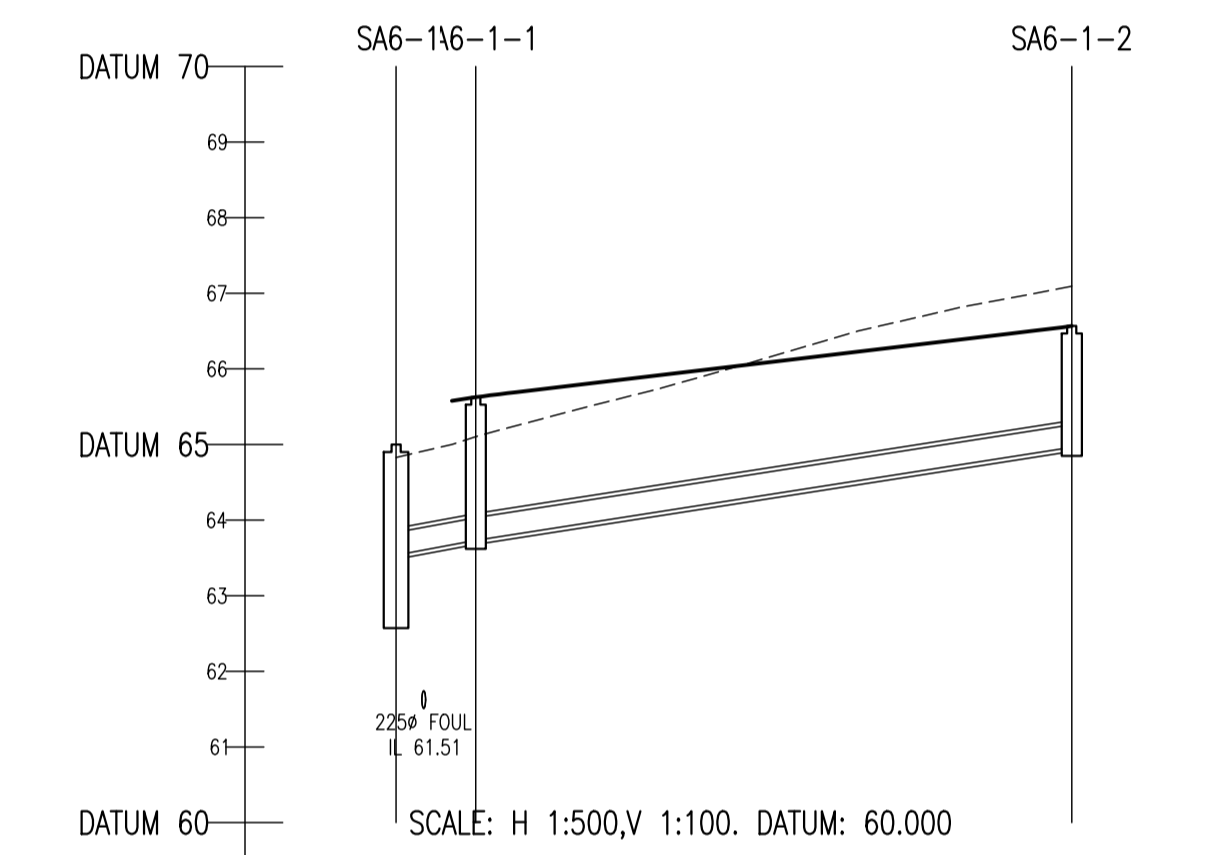
- NOTES:
- ALL DRAWINGS TO BE CHECKED BY CONTRACTOR ON SITE AND ENGINEER INFORMED OF DISCREPANCIES BEFORE WORK COMMENCES
 - ALL LEVELS ARE IN METRES AND ARE RELATED TO ORDNANCE DATUM
 - CONTRACTOR SHALL SATISFY HIMSELF AS TO THE ACCURACY OF PAVEMENT LEVELS ON SITE PRIOR TO COMMENCEMENT OF WORKS ON SITE
 - ALL WORKS TO BE CONSTRUCTED IN ACCORDANCE WITH THE NRA SPECIFICATION FOR ROAD WORKS UNLESS NOTED OTHERWISE
 - THIS DRAWING IS FOR PLANNING PURPOSES ONLY
 - MANHOLE COVER LEVELS ARE TO CONFORM WITH FINISHED ROAD AND PATH LEVELS
 - WHERE COVER TO PIPE IS LESS THAN 1200mm (ROAD/PATH/VERGE) OR 900mm (OPEN SPACE) SURROUND PIPE IN MINIMUM 150mm CONCRETE

KEY

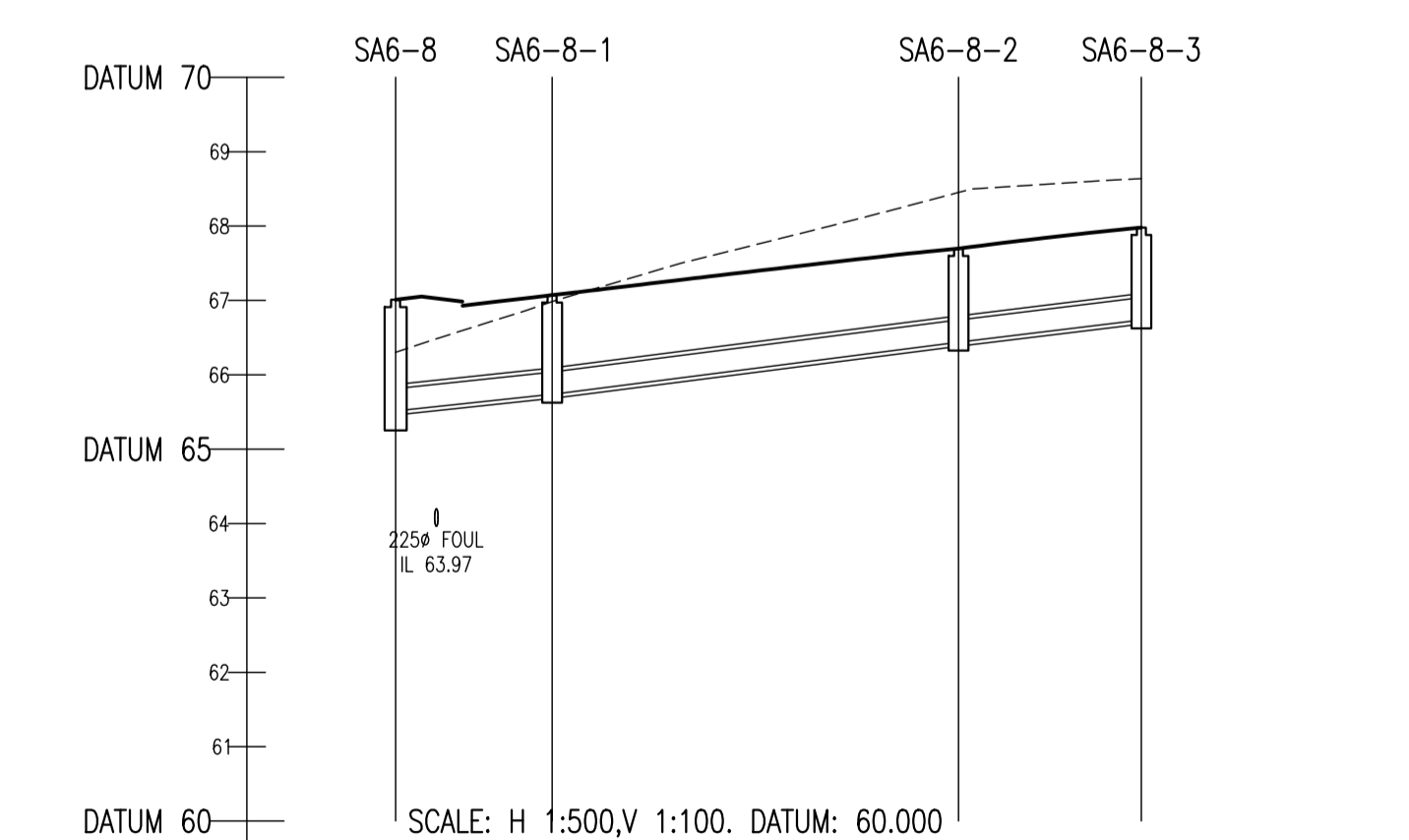
- - - - - EXISTING GROUND PROFILE
- PROPOSED GROUND PROFILE



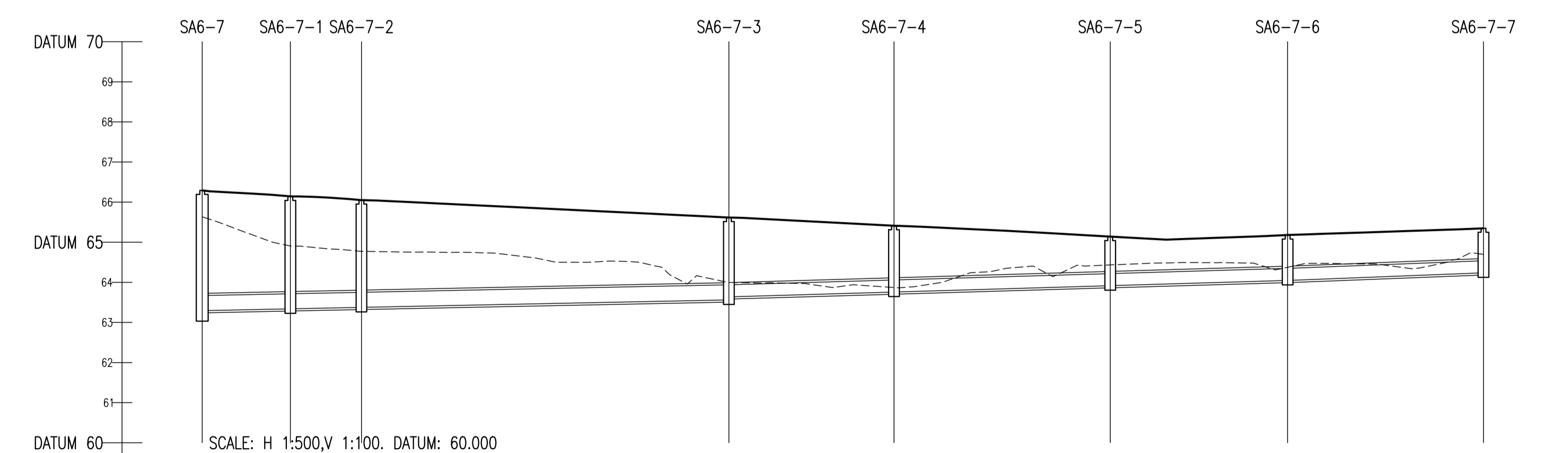
COVER LEVEL	65.900	66.096	67.267	68.282	68.816	69.119	69.322	69.579	69.886	69.961	70.081	70.151	70.028
INVERT LEVEL	63.009	5.009	63.039	9.010	66.038	66.938	68.282	67.398	68.318	68.390	68.474	68.550	68.638
DEPTH (m)	2.528	2.390	64.438	1.191	66.038	66.938	68.282	67.398	68.318	68.390	68.474	68.550	68.638
DISTANCE (m)	14.25	30.24	29.15	1.32	19.33	14.43	15.01	22.54	10.60	16.04	12.91	15.01	1.353
PIPE SLOPE	1:482	1:25	1:59	1:63	1:75	1:126	1:171	1:171	1:171	1:171	1:171	1:171	
PIPE SIZE	600mm	300mm	300mm	300mm	300mm	300mm	300mm	300mm	300mm	300mm	300mm	300mm	



COVER LEVEL	65.000	65.627	66.369
INVERT LEVEL	63.438	63.732	64.952
DEPTH (m)	2.278	1.895	1.399
DISTANCE (m)	5.27	39.42	
PIPE SLOPE	1:27	1:32	
PIPE SIZE	300mm	300mm	



COVER LEVEL	67.010	67.072	67.687	67.979
INVERT LEVEL	65.514	7.002	65.738	7.001
DEPTH (m)	1.628	1.237	66.438	66.738
DISTANCE (m)	10.52	27.32	12.29	1.204
PIPE SLOPE	1:47	1:39	1:41	
PIPE SIZE	300mm	300mm	300mm	



COVER LEVEL	66.291	66.143	66.050	65.615	65.411	65.141	65.180	65.348
INVERT LEVEL	63.294	8.006	63.340	8.005	63.756	63.756	8.002	63.918
DEPTH (m)	3.109	2.766	63.376	2.637	63.756	63.756	8.002	63.918
DISTANCE (m)	10.99	8.87	45.83	20.60	26.96	22.13	24.43	1.073
PIPE SLOPE	1:244	1:246	1:245	1:170	1:170	1:170	1:129	
PIPE SIZE	375mm	375mm	375mm	300mm	300mm	300mm	300mm	

PT	17/12/19	PLANNING ISSUE	PJC	BCM
REV	DATE	DESCRIPTION	BY	CHKD

STAGE 2 - PLANNING

DESIGNED	BCM	PREPARED	PJC
DATE	OCT 2019	CHECKED	DJR

DBFL Dublin Office: Ormrod House, Upper Ormrod Quay, Dublin 7, Ireland. PHONE: +353 1 400 4000 FAX: +353 1 400 4050
 Waterford Office: Unit 2, The Chandlers, 1-2 O'Connell Street, Waterford, Ireland. PHONE: +353 51 338 500 FAX: +353 51 844 813

DBFL Consulting Engineers email: info@dbfl.ie site: www.dbfl.ie

PROJECT
NEWTOWNMOYAGHY SHD

DRG. TITLE
LONGITUDINAL SECTIONS THROUGH SURFACE WATER SHEET 3 OF 6

CLIENT
MCGARRELL REILLY